

LED WASH LIGHTS

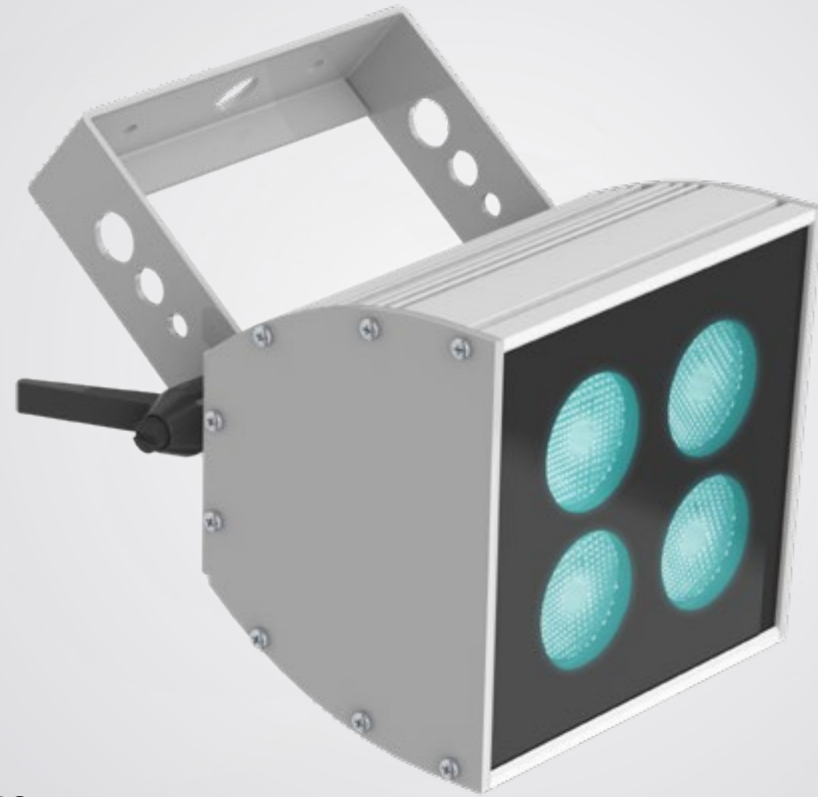
Illuminate the Skyline with our range of external grade wash lights, giving lighting professionals the tools to add colour to a wide range of applications.





20W/40W Wash
Nation Of Shopkeepers
Leeds
IP65





AVAILABLE COLOURS



20W RGBW/RGBA/TW

CC LED WASH LIGHT

Packing a powerful colour mix at source with the latest in multi-chip LED technology neatly packed into and thermally managed by an IP65 rated aluminium housing.

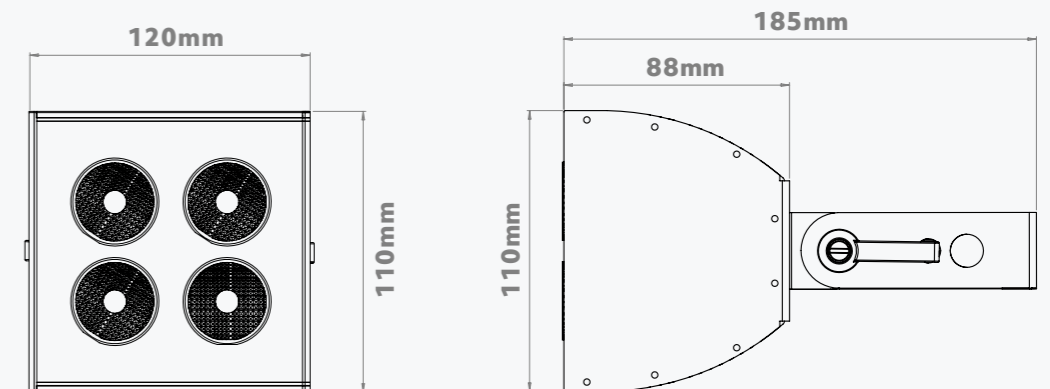
Making this fitting suitable for a wide variety of applications.

Compatible With : 350mA DMX Drive

TECHNICAL SPECIFICATIONS

Channels **4Ch**
Wattage **19.2W**
Input Current **350mA**
IP Rating **IP65**
LED Type **RGBW / RGBA / TW**
Housing Options **Grey / White / Black**
Lens Options **15°/25°/40°**
LED Connection **RJ45**
Lumen Output **1120lm [RGBW]**
Operating Temp Range **-20 to 50 °C**

DIMENSIONS

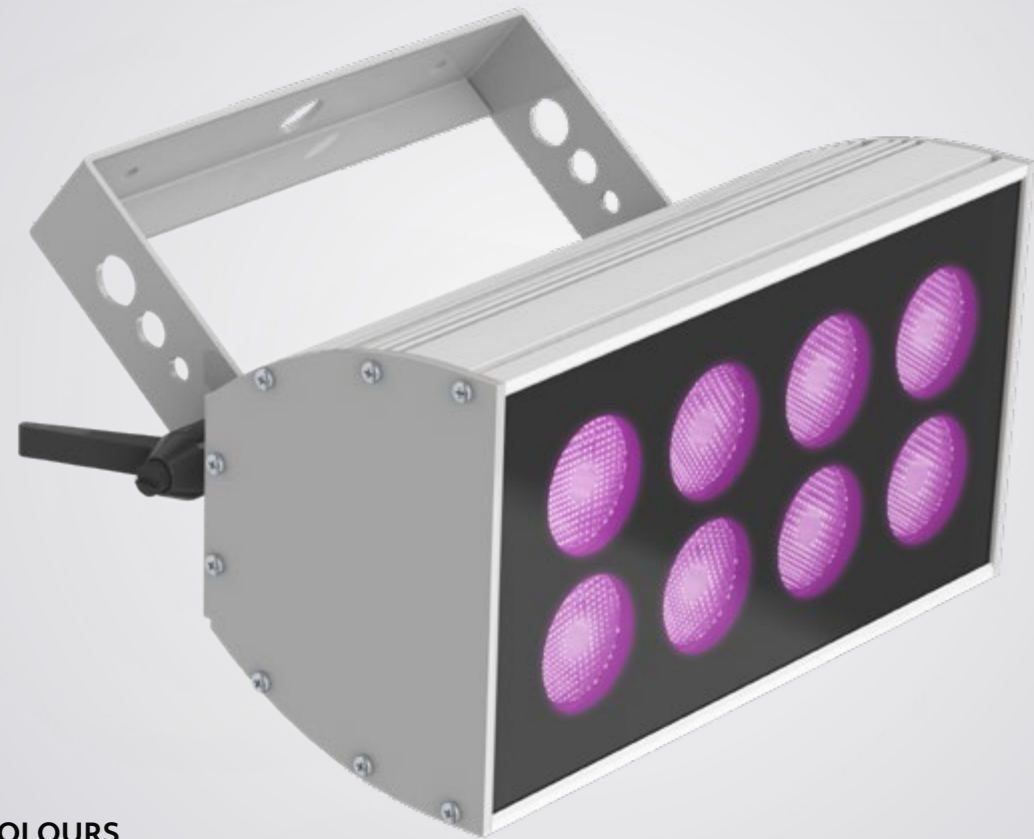


OPTIONAL PROTECTION COVER



HARSH ENVIRONMENT COVER

For harsh environments this cover is fitted around the front of the SKYLINE unit to give it maximum protection.



AVAILABLE COLOURS



40W RGBW/RGBA/TW

CC LED WASH LIGHT

Packing a powerful colour mix at source with the latest in multi-chip LED technology.

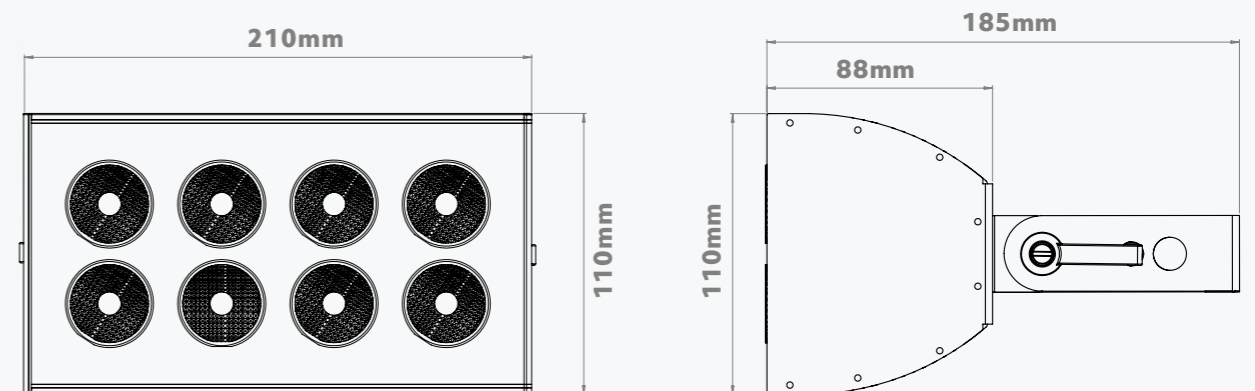
It is neatly packed into and thermally managed by an IP65 rated aluminium housing, making this fitting suitable for a wide variety of applications.

Compatible With : 350mA DMX Drive

TECHNICAL SPECIFICATIONS

- Channels **4Ch**
- Wattage **38.4W**
- Input Current **350mA**
- IP Rating **IP65**
- LED Type **RGBW / RGBA / TW**
- Housing Options **Grey / White / Black**
- Lens Options **15°/25°/40°**
- LED Connection **RJ45**
- Lumen Output **2240lm [RGBW]**
- Operating Temp Range **-20 to 50 °C**

DIMENSIONS

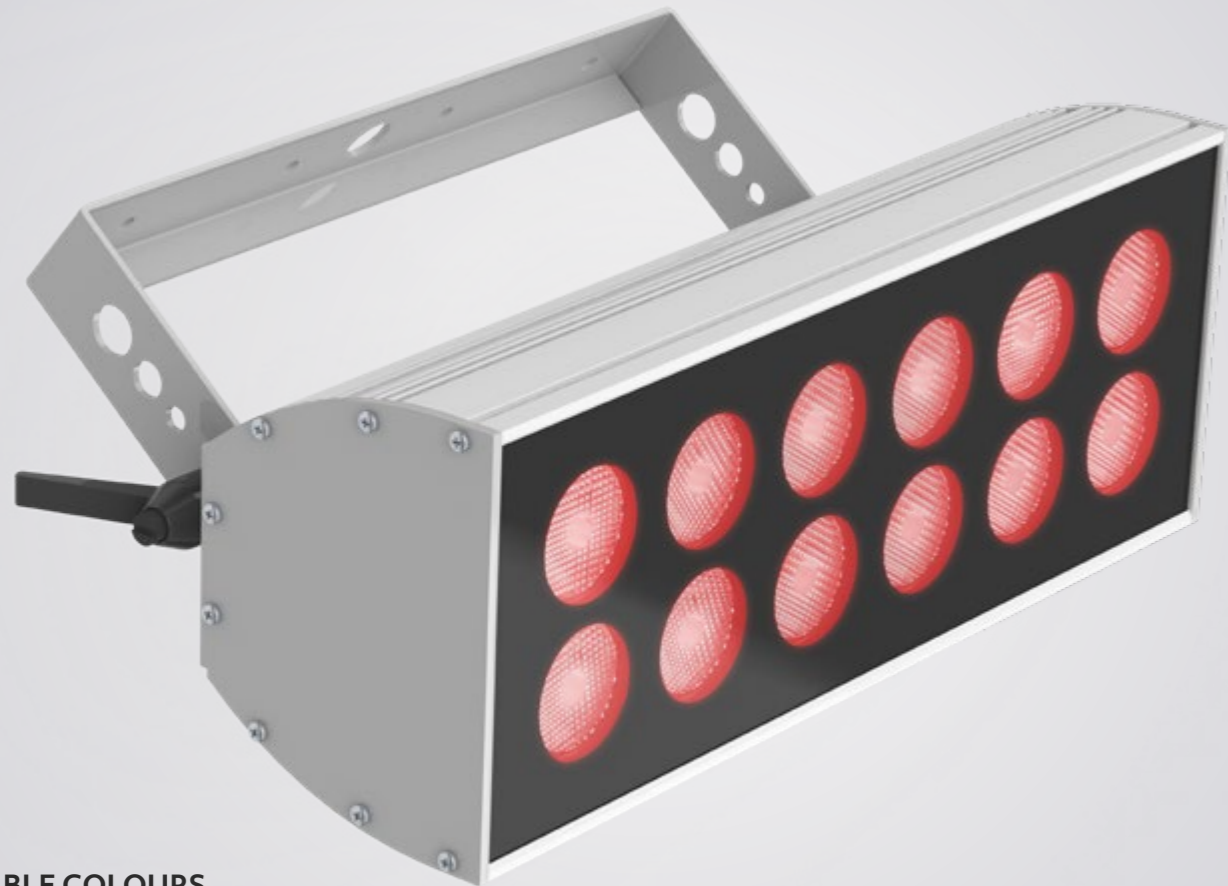


OPTIONAL PROTECTION COVER

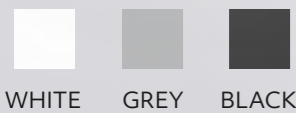


HARSH ENVIRONMENT COVER

For harsh environments this cover is fitted around the front of the SKYLINE unit to give it maximum protection.



AVAILABLE COLOURS



60W RGBW/RGBA/TW

CC LED WASH LIGHT

Packing a powerful colour mix at source with the latest in multi-chip LED technology.

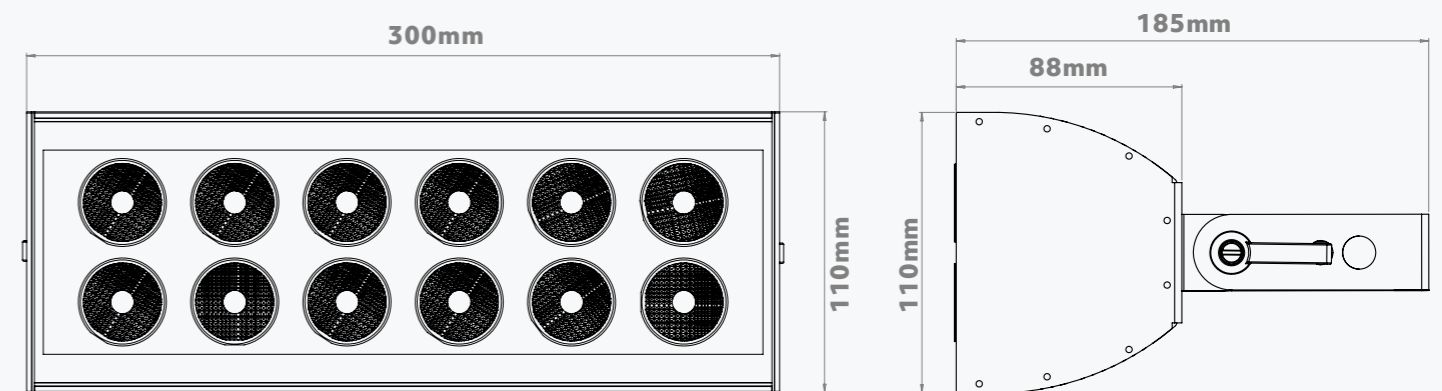
It is neatly packed into and thermally managed by an IP65 rated aluminium housing, making this fitting suitable for a wide variety of applications.

Compatible With : 350mA DMX Drive

TECHNICAL SPECIFICATIONS

- Channels **4Ch**
- Wattage **57.6W**
- Input Current **350mA**
- IP Rating **IP65**
- LED Type **RGBW / RGBA / TW**
- Housing Options **Grey / White / Black**
- Lens Options **15°/25°/40°**
- LED Connection **RJ45**
- Lumen Output **3360lm [RGBW]**
- Operating Temp Range **-20 to 50 °C**

DIMENSIONS



OPTIONAL PROTECTION COVER



HARSH ENVIRONMENT COVER

For harsh environments this cover is fitted around the front of the SKYLINE unit to give it maximum protection.